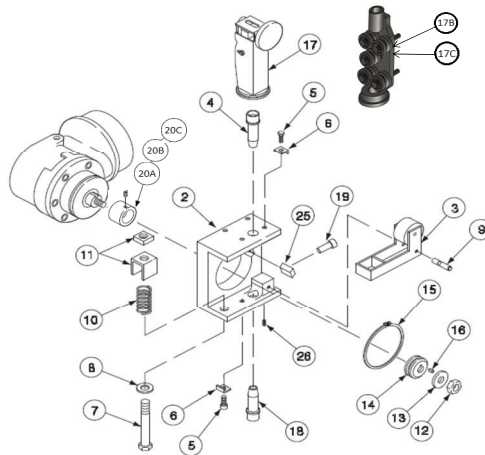


Reservedele Lincoln



Pos	Varenummer	Varebetegnelse	Type	Antal
1	L12112-2	Motor & Gearbox Asbly		1
2	L6987	Face Plate		1
3A	S12475	Idle Roll Assembly	Single Arc	1
3B	S13165	Idle Roll Assembly	Twin Arc	1
4A	S10168-4	Incoming Guide Tube	Single Arc	1
4B	KP1970-3	Incoming Guide Tube	Twin Arc	2
5	T9447-12	Socket Head Cap Screw		4
6	T8400	Mounting Clip		4
7	CF000039	3/8-16 x 3.00 HHCS		1
8	S9262-120	Plain Washer		1
9	T12206-1	Pivot Pin		1
10	T10247-7	Idle Roll Spacer		1
11	T13610	Yoke Indicator Assembly		1
12	T10552	Drive Roll Nut		1
13	S9262-44	Plain Washer		1
14A	KP1885-1	Drive Roll	Single Arc	2
14B	KP1889-1	Outer Drive Roll	Twin Arc	2
14C	S14905	Center Drive Roll	Twin Arc	1
15	S11910-2	Snap Ring		1
16A	M8776-5	Drive Roll Key	Single Arc	1
16B	M8776-6	Drive Roll Key	Twin Arc	2
17A	M8269-1	Wire Straightener	Single Arc	1
17B	M8269-S	Wire Straightener	Single Arc	1
17C	M8269-T	Wire Straightener	Twin Arc	1
18A	S10170-1	Outgoing guide tube	Single Arc	1
18B	KP1970-3	Outgoing guide tube	Twin Arc	1
19	T9447-32	Socket Head Cap Screw		1
20A	T12146	Drive Roll Spacer	Single Arc	1
20B	S11604-13	Hollow Set Screw	Single Arc	1
20C	T12146-1	Drive Roll Spacer	Twin Arc	1
24	S9262-131	Plain Washer (ikke vist på tegning)		1
25	T14896	Locking Key		1
26	S11604-8	Set Screw		1

Reserve dele til Lincoln



Vare nummer	Beskrivelse
T10570	Bolt m/ hul



S10493-1	Mellemstykke for dyse
----------	-----------------------



S10157	Dysestamme m/ kabelfæste
--------	--------------------------

Lincoln originale dyser



KP1962-3B1	Dyse 2,4 mm
KP1962-1B1	Dyse 3,2 mm
KP1962-4B1	Dyse 4,0 mm
KP1962-2B1	Dyse 5,0 mm
KP1962-5B1	Dyse 5,5 mm

Lincoln uoriginale dyser



S10125-5/64T	Dyse 2,0 mm
S10125-3/32T	Dyse 2,4 mm
S10125-3.0T	Dyse 3,0 mm
S10125-1/8T	Dyse 3,2 mm
S10125-5/32	Dyse 4,0 mm
S10125-7/32T	Dyse 5,0 mm

Dysestamme Forlængere:



S10157-1½	1½" (38,1mm) Dysestamme Forlængere
S10157-2	2" (50,8mm) Dysestamme Forlængere
S10157-4	4" (101,6mm) Dysestamme Forlængere
S10157-6	6" (152,4mm) Dysestamme Forlængere
S10157-7½	7½" (190,5mm) Dysestamme Forlængere
S10157-9	9" (228,6mm) Dysestamme Forlængere



T9078-1	Vingemøtrik
---------	-------------



M8249	Krop for pulver
-------	-----------------



T10574	Låsering
--------	----------



S10147	Omløber for krop
--------	------------------



KP2085-1	Flux konus
----------	------------



KP2085-1MOD	Flux konus mod.
-------------	-----------------