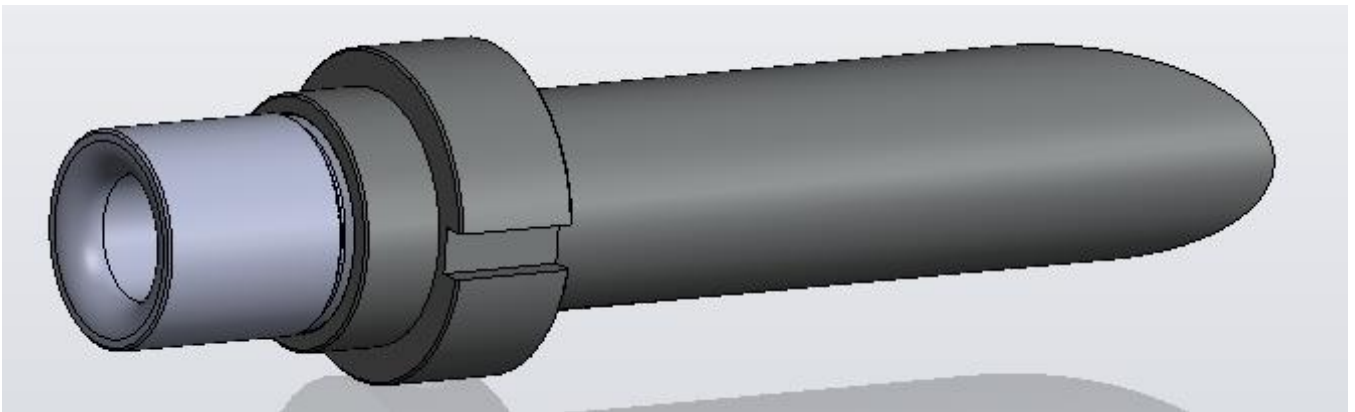


FI-5 Injector complete (Long)

Blaaholm A/S
Limfjordsvej 13
6715 Esbjerg N
www.blaaholm.com
Telefon +45 7519 5427
Fax +45 7519 5425
blaaholm@blaaholm.com

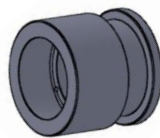
Jyske Bank
Kontonr. 5095-0001559702
CVR-nr. 29139733



FI-5
Injector Complete



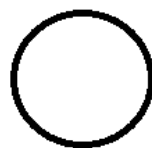
LEM0004
FI-3/4/5 Inlet



PRO2
FI-3/4/5 Insert



LEM0005-FI5
FI-5 Housing



747654008
Sealing
1" 30x21x2f